

Automatic Medical Gas Changeover Manifold Model MN

The SILBERMANN Automatic changeover unit is designed for continuous supply of gas at the pressure of up to 8 bars.



Features

- The SILBERMANN Automatic changeover unit is designed for continuous supply of gas at a pressure of up to 8 bars (higher outlet pressure upon customer request).
- The panel includes a mechanism which switches the supply from the “in service” bank to a “reserve” supply bank, when the “in service” bank is empty. After rotating the lever and replacing the empty bank cylinders, the previous “in service” becomes the “reserve” bank for the next operation.
- The panel is equipped with two manifold pressure regulators (in case of malfunction), mid range gauge, line pressure regulators w/bypass valves, all mounted on a white baked painted steel panel.
- safety value@6 bar supplied with the panel.

Applicable standards:

- NFPA99, EN ISO 73961-1 & G0-1 requirements.

Silbermann's Quality management system:

- ISO 13485
- CE marked by the notified body TUV-SUD



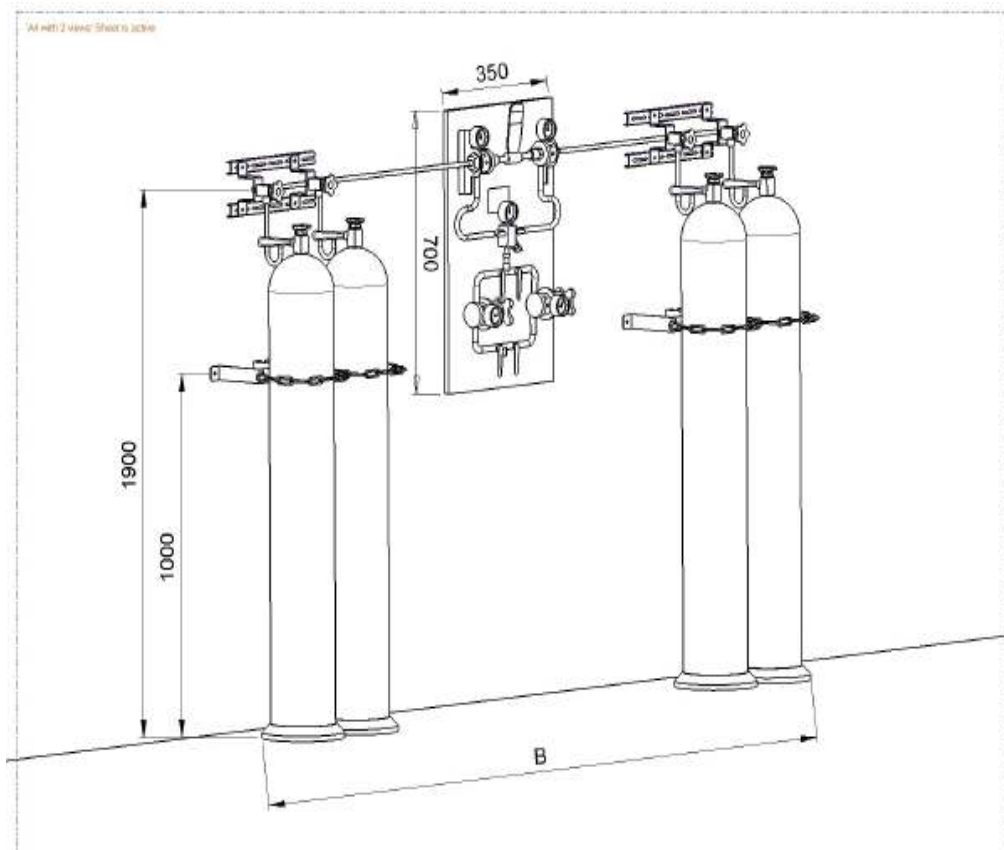


Technical Data

- Panel material – steel.
- Dimensions – 70x35 cm.
- Panel finish – baked on powder coated.
- Piping System: All materials are oxygen compatible.
- Changeover mechanism: pressure difference.
- Output connections for local alarms: One set of dry contacts N.O
- Flow Capacity: Oxy/medical air (4 bar) - 90 m³/hr.
- High pressure regulators inlet – G 3/4" Female nut.
- Max inlet (cylinder) pressure 200 bar.
- Standard oxy. Outlet pressure 4-5 bar.
- Standard outlet pressure for Nitrogen is 8 bar.
- Higher pressure available upon request.



Dimensions





Catalogue Numbers

Gas Type	Changeover Catalogue No.
Oxygen	7087300
Air	7087350
Nitrous oxide	7087301
Carbon Dioxide	7087302
Nitrogen	7087304
Argon	7087305

* When ordering please specify No. of cylinders.

Distributed By: