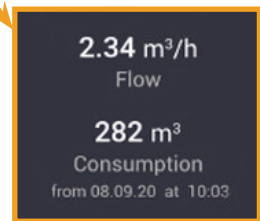


Manifold System Consumption Meter with 3 Valve Bypass

The manifold system consumption meter with 3 valve bypass facilitates the monitoring and management of gas consumption at both department and hospital level. Additionally, it can detect gas distribution leaks.

The kit includes three ball valves, a flow and consumption meter, and a sensor that transmits the data to the manifold's touchscreen panel.

The consumption meter with bypass, can be installed inside a new manifold system and can also be integrated into an existing one.



Features & Benefits

- Accurately measuring the medical gas consumption for each department and determining the amount required for each hospital service.
- The data is displayed on the touch screen panel located on the door of the changeover unit box.
- It can be read remotely via web browser or building management system.
- Integrating the kit into an existing manifold system does not require an external consumption meter or additional manifold's touchscreen panel, providing a cost-effective solution.
- Allows health facilities to manage the medical gas supply budget efficiently.
- Provides insight into the hours of high and low usage.
- Facilitating leak detection.
- Enable measurement of consumption starting from a specified moment in time by resetting the device.
- Includes 3 valves bypass - for easy maintenance.
- Memorized consumption for the past 6 month's.
- Suitable for a wide variety of manifold systems.



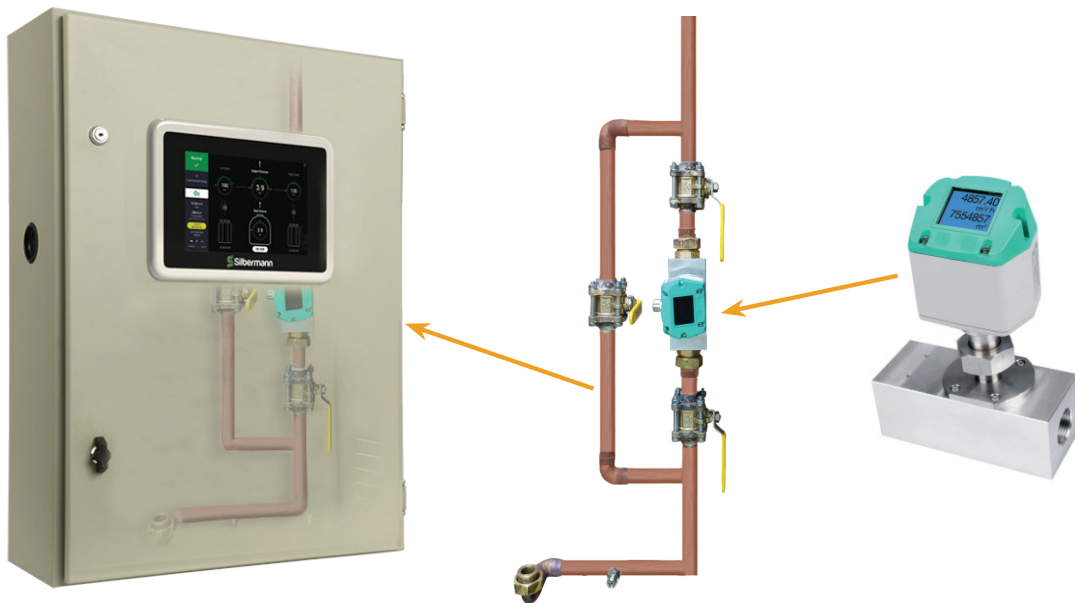
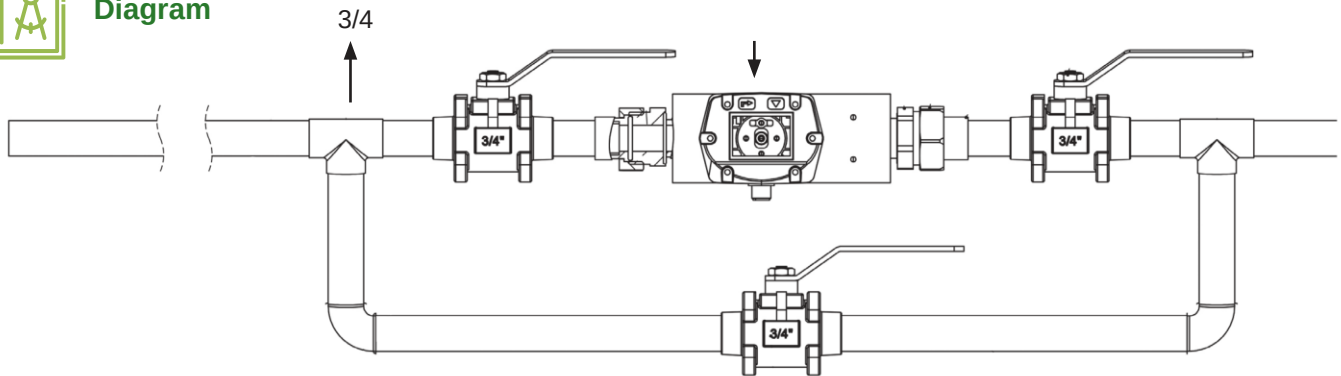
Technical Specification

- Flow: up to 170 m³/h / 2830 lpm
- Gas type: Oxygen, Medical Air, N₂O or N₂*
- Displayed units:
 - Flow: m³/h, m³/min, liter/h, liter/min, ft³/h, ft³/min
 - Consumption: ft³, m³, liter.

* Other types of medical gas are available according to customers' request.



Diagram



Name	Catalogue No.
Bypass consumption meter assembly	7086154k1