

Recessed (Wall) Service Outlet Quick-Connect DIN Type

We design and manufacture our Terminal Units to last and to ensure a constant and reliable medical gas flow for the patient and the medical equipment.

All outlets are 100 % tested for flow, leakage and are cleaned for oxygen services prior to shipping.

Our outlets are designed by industrial designers to ensure an appealing and pleasant environment for the patient and the medical staff.



Features

- Accepts **DIN 13260-2** gas specific adapters.
- All outlets are 100% hydrostatic tested for leaks. The outlets are factory assembled, degreased and cleaned for medical gas service.
- Indexed to eliminate interchangeability of gas services.
- 360° swivel inlet pipe for ease of installation.
- Double position allowing parking of male adapter in the outlet.
- Low maintenance due to use of VITON seals in front assembly (latch valve).
- Modular singles - designed to provide ganging of rough-in modules in the field to form multiples at any order with 120mm spacing.
- Optional - Outlets for MRI use are available upon customer request.

Medical Gas System Standards:

- NFPA99 & EN ISO 7396-1 requirements.

Applicable Standards:

- ISO 9170-1, DIN 13260-2.

Silbermann's Quality Management System:

- CE marked by the notified body TÜV-SÜD.



Technical Data

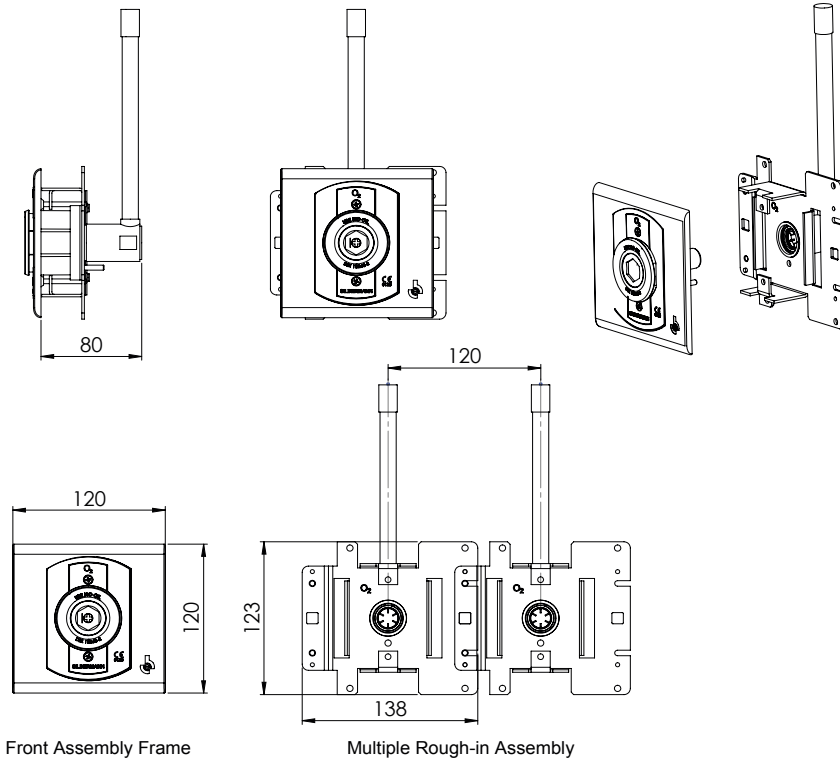
- The medical gas outlet shall be **SILBERMANN DIN** type manufactured according to ISO 9170-1 **DIN 13260-2**.
- The outlet shall be gas specific by indexing each front service panel to a gas specific pin indexed rough-in module.
- The outlet of positive and negative pressure shall consist of a primary and secondary check valves to allow testing and on-line maintenance.
- Outlet shall be manufactured with 175 mm long, type K, 12.7 mm (1/2") OD copper pipe. Rough-in pipe shall be silver brazed to the outlet body.
- With the rough-in mounted, the outlet shall be depth adjustable to compensate for various wall thicknesses.
- The quick connect outlet shall comply with ISO 9170-1 standard type and accept only corresponding DIN 13260-2 Gas Specific Adapter.
- Pressure drop of less than 20 Kpa through the outlet at 120 LPM and 350 Kpa (3.5 Bar) inlet pressure.
- When fully open, the outlet allows a flow of up to 600LPM and pressure of 400 KPa (4 Bars).

Recessed (Wall) Service Outlet DIN Type

Medical Gas Pipeline



Dimensions [mm]



Front Assembly Frame

Multiple Rough-in Assembly



Catalogue Numbers

Gas Service	Color Code	Catalogue No.
Oxygen	White	3776182
Medical Air	Black & White	3776183
Nitrous-Oxide	Blue	3776184
Vacuum	Yellow	3776185
CO ₂	Gray	3776186

Distributed By:

SILBERMANN Technologies Ltd.

Address: #5 Harakevet st. POB 4605, Petah-Tikva, 4900715, ISRAEL

Tel: +972-3-9309186 | Fax: +972-3-9315721

E-Mail: info@silbermnn.com, www.silbermnn.com

