

## Ball Valve with Extensions Model SP150

Cleaned for medical gas use and 100% hydrostatic tested, these 3 piece medical gas valves are designed to meet the NFPA 99c, ISO 7396-1 & G-01 standards.



### Specifications

- Valve shall be 3 piece ball-type full bore design, with a bronze/ brass body, stainless steel ball, stem, bolts & nuts.
- Seat shall be Teflon (RPTFE) and seals Viton.
- Valves ½" to 2" shall have a minimum pressure rating of 4137 kpa (600 psi) wog. Valves 3" to 4" shall have a minimum pressure rating of 2758 kpa (400 psi) wog.
- Valve shall require only a quarter turn from fully open position to a fully closed position.
- Extensions stubs shall be K type with a minimum 150 mm long to allow brazing without damaging the valve seat and seals due to heat transfer during brazing operation.
- Each valve shall be hydrostatically tested for leakages.
- Each valve shall be washed and degreased for medical gas use.
- Pipe stubs extensions shall be capped at both ends.
- The valves shall be supplied in sealed plastic bags, marked with "Oxygen" or "cleaned for oxygen use", to prevent contamination prior to installation.
- Valves shall be Silbermann model SP150 or equivalent.
- All valves shall comply with NFPA 99, ISO 7396-1 & G-01 standards.

### Medical Gas System Standards:

- NFPA99, EN ISO 7396-1 & G-01 requirements.

### Silbermann's Quality Management System:

- EN ISO 13485-2016
- ISO 9001-2015.

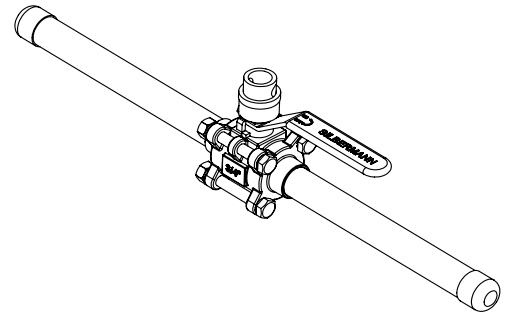
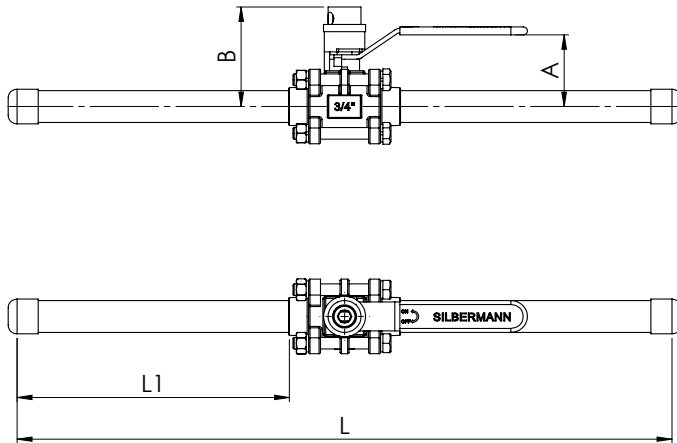


# Ball Valve with Extensions Model SP150

Medical Gas Pipeline



## Dimensions [mm]



## Catalogue Numbers

No.	Catalog No.	Size	A [mm]	B[mm]	L1[mm]	L [mm]
1	2727020	1/2"	44	60	152	370.5
2	2727021	3/4"	51	70	151	376.5
3	2727022	1"	55	74	147	381
4	2727023	1¼"	68	86	205	510
5	2727024	1½"	73	91	202	516
6	2727025	2"	85	108	256	653
7	2727027	3"	117	136	258	708
8	2727028	4"	117	N/A	245	785

Distributed By:

### SILBERMANN Technologies Ltd.

Address: #5 Harakevet st. POB 4605, Petah-Tikva, 4900715, ISRAEL

Tel: +972-3-9309186 | Fax: +972-3-9315721

E-Mail: [info@silbermnn.com](mailto:info@silbermnn.com), [www.silbermnn.com](http://www.silbermnn.com)

