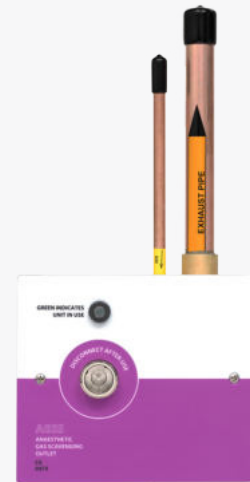


Anaesthetics Gas Scavenging Service Inlet (Venturi type)

The Silbermann jet scavenging inlet is designed for safe removal of surplus anaesthetic gas from the operating theatre.

The scavenging inlet assembly uses compressed air to create suction and propels the contaminated air to the outside atmosphere.



Features

- Operation based on compressed air - No need for a central AGSS system
- When probe is connected, green pneumatic indicator showing system is in use
- Very quiet operation
- Automatic shut off when probe is disconnected
- Flow and vacuum adjustment
- Locking mechanism quick connect

Medical Gas System Standards:

- NFPA99
- ISO 7396
- G-01
- HTM 02-01

Silbermann's Quality Management System:

- EN ISO 13485-2016
- ISO 9001-2015
- CE marked



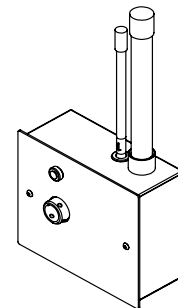
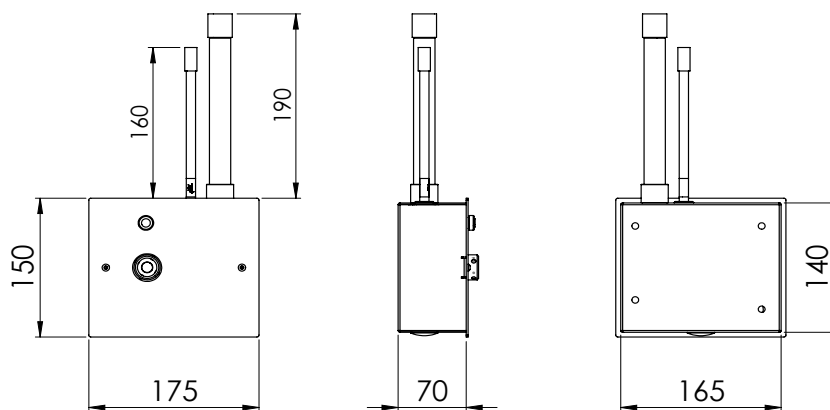


Technical Data

- Inlet pressure: 3.5-5 bars
- Inlet flow: 40 LPM
- Free air suction capacity: Adjustable 35 -80 LPM
- Vacuum level: Adjustable 20-50 cmH₂O
- Inlet pipe diameter: OD 3/8"
- Exhaust pipe diameter: OD 7/8"
- Material of construction:
 - Box: Baked painted Steel
 - Front Panel: Anodized Aluminum
 - Injector: Brass



Dimensions [mm]



* Shown dimensions are only for the Recessed/Exposed configuration.



Catalogue Numbers

Inlet Configuration	ISO 9170-2 Type	Silbermann (Draeger Compatible) Type
Recessed/Exposed Box	TBD	3212610
Pendant Mounted	TBD	3212512



Related Products

Flexible Hose Assembly for OT

Hose Assembly 5 meter long includes:

- Probe
- Reinforced hose
- Rear adapter (to anaesthetic machine)

Type	Catalogue No.
ISO 9170-2	2282200
Silbermann (Draeger compatible)	2282100



Probe Only

Type	Catalogue No.
ISO 9170-2	2282210
Silbermann (Draeger compatible)	3170000

Distributed By:

SILBERMANN Technologies Ltd.

Address: #5 Harakevet st. POB 4605, Petah-Tikva, 4900715, ISRAEL

Tel: +972-3-9309186 | Fax: +972-3-9315721

E-Mail: info@silbermnn.com, www.silbermnn.com